

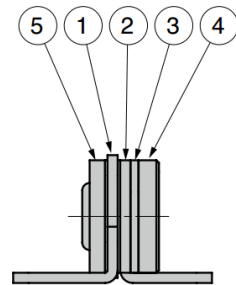
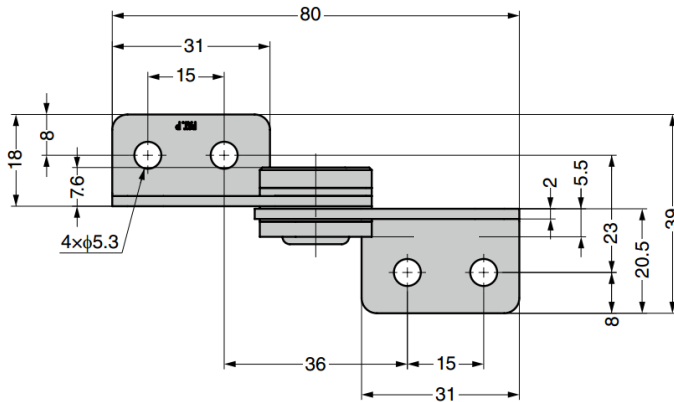
## GHG-TC45H Stainless Steel Torque Hinge (Thru Hole)

### Features

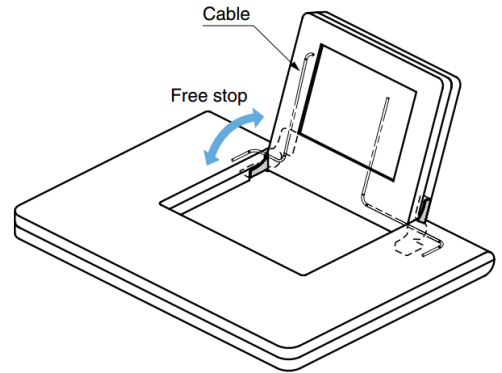
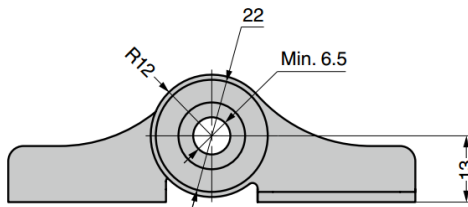
- Hinge with friction torque holds lid / door in desired position
- Hole in the shaft allows easy cable management
- Excellent durability, passed 50,000 life cycle test

### Notes

- Operating temperature: 0°C ~ 40°C
- For pair usage: to use the same torque for both hinges
- Ensure hinge shafts are levelled and aligned during installation



Left-handed type shown. Right-handed type is symmetrical.



No.	Part Name	Material	Finish / Colour
①	Bracket	Stainless Steel (SUS430)	Barrel Polished
②	Base		
③	Spring Washer	Steel	-
④	Shaft	Stainless Steel (SUS303)	
⑤	Washer	Stainless Steel (SUS430)	Barrel Polished

Part No.	Type	Torque (per piece)	
GHG-TC45HR	Right Handed	4.5 ±20% N.m	45.9 ±20% kgf.cm
GHG-TC45HL	Left Handed		